

Labotom-5 is a high-quality table-top manual cut-off machine for 250 mm / 10" dia. cut-off wheels. It is especially designed to be used both in labs and production areas.

With its simple control panel, the ergonomic handle as well as safe lock and emergency stop, the Labotom-5 is not only extremely user-friendly - it also provides optimal protection of its users.

The large cutting table offers extra room to position your workpiece and after working on the Labotom-5, the efficient flushing of the chamber makes cleaning up fast and simple.

Extremely user-friendly

Simple control panel with three buttons; Start, Stop and Flushing cleaning water

Safety lock and emergency stop

Big cutting table

Ergonomic cutting handle

Cleaning gun with strong water flow

Big slope in the cutting chamber

A powerful LED lamp lights up the cutting area

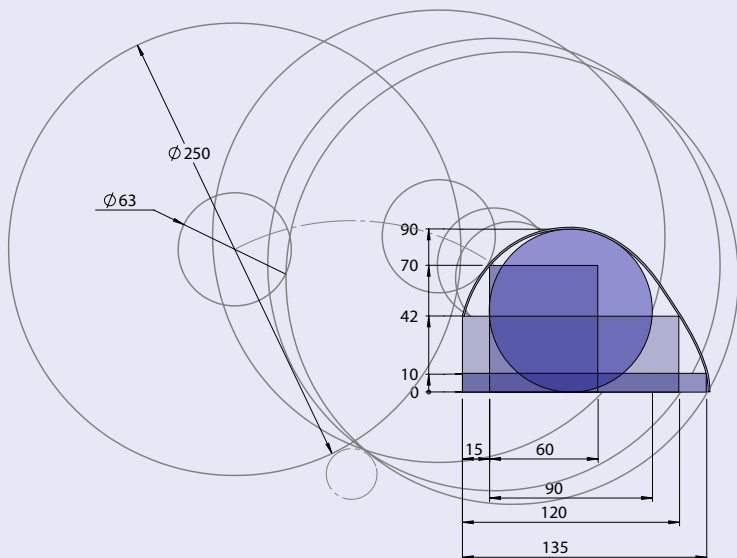
Safety lock and emergency stop

Labotom-5 is equipped with both a safety lock and an emergency stop for optimal protection of the users. The motor is braked electrically which ensures that it is stopped before the door safety lock is released.



Cleaning gun with strong water flow

For easy maintenance Labotom-5 is equipped with a cleaning gun. The cleaning gun is easily accessible as it is placed directly in the cutting chamber.



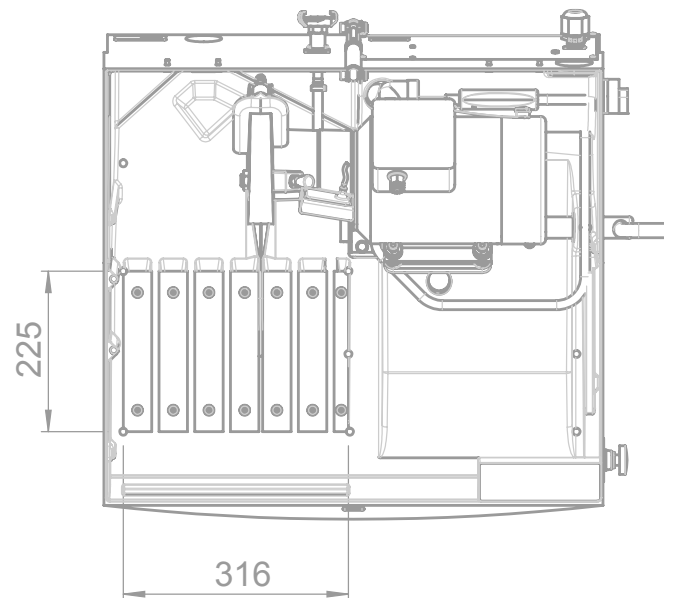
Cutting capacity

The projected cutting capacity for a new cut-off wheel is up to 90 mm / 3.5" dia. or 120 x 42 mm / 4.7" x 1.7". Please refer to the illustration.

To cut workpieces exceeding the width of the cutting chamber in the left side, a plate in the cover may be removed and replaced by a Safety Extension Box.

Ergonomic cutting handle

The handle is ergonomically designed, enabling the operator to cut even very hard and difficult materials. A powerful LED lamp lights up the cutting area so the cutting process easily can be followed.



Big cutting table

Labotom-5 has a big (316 mm / 12.4" wide and 225 mm / 8.9" dept) cutting table for easy clamping of the workpiece. The cutting table has five 10 mm T-slots; three on the left hand side and two on the right hand side. The big cutting table ensures that almost all shapes of workpieces can be clamped and cut safely.

Big slope in the cutting chamber

The sloping base of the cutting chamber prevents cooling water from accumulating in the chamber. A prism knob is placed in the drainage hole so that cut-off specimens will not enter the drain.

Accessories and consumables

Cat. no.:



Quick Clamping Device

For securing the workpiece. To be mounted on the left side of the cut-off wheel.
Complete with backstop. Max clamping width: 50 mm.

05876909



Vertical Clamping Device

For clamping irregularly shaped workpieces on the cutting table. Clamping height is adjustable up to 58 mm. Complete with operating key and one flat clamping shoe. Used for 10 mm T-slot.

05116905

Swivel shoes for Vertical Clamping Device

Set of 4 multi-shaped swivel shoes for Vertical Clamping Device (05046904, 05116905 or 05036915).

05116911

Arm Extension

For extending arm of Vertical Clamping Device (05036915, 05046904 and 05116905)

05046906



Vertical Quick Clamping Device

For securing the workpiece. To be mounted on the left side of the cut-off wheel.
Max clamping width: 50 mm

05876925



Single Prism for Vertical Quick Clamping Device

Jaw block for optimum clamping of cylindrical and oval workpieces.
For use with Vertical Quick Clamping Device for 10 mm T-slots (05876925).

05876926



Spring Clamp

For retaining the workpiece. Complete with backstop. To be mounted on Discotom-60/-65, Discotom-6 and Labotom-5 at the right side of the cut-off wheel. For 10 mm T-slots.

05136903



Fixed Stand

Stand for specimen holders with dovetail clamp. 40 mm manual positioning. For 10 mm T-slot.

05876927



Specimen Holder CATFF 04946904

Teardrop type with opening.
For workpieces 15-40 mm dia.



Specimen Holder CATTY 04946905

With 7 screws for irregular workpieces.
Max 40 mm width.



Specimen Holder CATSI 04946903

For general use.
Max opening: 60 mm.



Specimen Holder CATRE 04946907

For cylindrical workpieces.
Max opening 40 mm dia.



Safety Extension Box

For extending the cutting chamber when cutting long workpieces.

To be mounted on the left side of Labotom-5.

For workpieces with a maximum size of

H x W: 90 mm / 3.5" dia. or 120 x 42 mm / 4.7" x 1.7"

Dimensions, W x D x H: 652 x 120 x 95 mm / 6.5" x 4.7" x 3.7"

06046903

For more information regarding clamping tools and cut-off wheels please see special brochures.



Struers ApS
 Pederstrupvej 84
 DK-2750 Ballerup, Denmark
 Phone +45 44 600 800
 Fax +45 44 600 801
 struers@struers.dk
 www.struers.com

Technical data

Cut-off wheel

Size	250 mm / 10" dia.
Arbor size	32 mm / 1.26" dia.
Rotational speed (running idle)	2845 rpm (50 Hz) / 3450 rpm (60 Hz)
Cutting capacity *	90 mm dia. / 3.5" dia. or 42 x 120 mm or 1.7" x 4.7"

Cutting table

Width	225 mm / 8.9"
Length	316 mm / 12.4"
T-slots	10 mm

Cutting motor

Voltages	Nominal load S1	Intermittent S3 (15 %)	Fuse
3 x 200 V / 50 Hz	2.2 kW / 3.0 HP	3.2 kW / 4.3 HP	40 A
3 x 200 - 210 V / 60 Hz	2.6 kW / 3.5 HP	3.2 kW / 4.3 HP	30 A
3 x 220 - 230 V / 50 Hz	2.2 kW / 3.0 HP	3.2 kW / 4.3 HP	40 A
3 x 220 - 240 V / 60 Hz	2.6 kW / 3.5 HP	3.2 kW / 4.3 HP	30 A
3 x 380 - 415 V / 50 Hz	2.2 kW / 3.0 HP	3.2 kW / 4.3 HP	40 A
3 x 380 - 415 V / 60 Hz	2.6 kW / 3.5 HP	3.2 kW / 4.3 HP	30 A
3 x 460 - 480 V / 60 Hz	2.6 kW / 3.5 HP	3.2 kW / 4.3 HP	30 A

Dimensions

Width	700 mm / 27.6"
Width with handle	860 mm / 33.9"
Depth	680 mm / 26.8"
Depth with plug	808 mm / 31.8"
Height, machine	440 mm / 17.3"
Height, handle	520 mm / 20.5"
Height, open cover	942 mm / 37.1"
Weight	75 kg / 165 lbs

Noise level 60 dBA, at idle running, at a distance 1.0 m / 39.4"

Surrounding temperature 5 - 40 °C / 41-104 °F

Humidity 0 - 95 % RH, non condensing

Safety Please refer to the Declaration of Conformity

* The actual cutting capacity depends on the specific workpiece dimensions, cut-off wheel and clamping technique.

Specifications

Labotom-5

Manual cut-off machine. Motor power 2.2 / 2.6 kW (3.0 / 3.5 HP). For 250 mm (10") cut-off wheels. With cutting table with 10 mm T-slots. Recirculation cooling unit (05766xxx), quick clamping device (05876909 / 05876925), spring clamp (05136903) and vertical clamping system (05116905) respectively are ordered separately. Optional table unit (06266101) can be used.

Cat. no.:	Voltage
06046129	3 x 200 V / 50 Hz
06046130	3 x 200-210 V / 60 Hz
06046135	3 x 220-230 V / 50 Hz
06046136	3 x 220-240 V / 60 Hz
06046146	3 x 380-415 V / 50 Hz
06046147	3 x 380-415 V / 60 Hz
06046154	3 x 460-480 V / 60 Hz

AUSTRALIA & NEW ZEALAND
Struers Australia
 27 Mayneview Street
 Milton QLD 4064
 Australia
 Phone +61 7 3512 9600
 Fax +61 7 3369 8200
 info.au@struers.dk

BELGIQUE (Wallonie)
Struers S.A.S.
 370, rue du Marché Rollay
 F- 94507 Champigny
 sur Marne Cedex
 Téléphone +33 1 5509 1430
 Télécopie +33 1 5509 1449
 struers@struers.fr

BELGIUM (Flanders)
Struers GmbH Nederland
 Elektraweg 5
 3144 CB Maassluis
 Telefoon +31 (10) 599 7209
 Fax +31 (10) 5997201
 netherlands@struers.de

CANADA
Struers Ltd.
 7275 West Credit Avenue
 Mississauga, Ontario L5N 5M9
 Phone +1 905-814-8855
 Fax +1 905-814-1440
 info@struers.com

CHINA
Struers Ltd.
 No. 1696 Zhang Heng Road
 Zhang Jiang Hi-Tech Park
 Shanghai 201203, P.R. China
 Phone +86 (21) 6035 3900
 Fax +86 (21) 6035 3999
 struers@struers.cn

CZECH REPUBLIC & SLOVAKIA
Struers GmbH Organizační složka
 vědeckotechnický park
 Přilepská 1920,
 CZ-252 63 Roztoky u Prahy
 Phone +420 233 312 625
 Fax +420 233 312 640
 czechrepublic@struers.de
 slovakia@struers.de

DEUTSCHLAND
Struers GmbH
 Carl-Friedrich-Benz-Straße 5
 D-47877 Willich
 Telefon +49 (0) 2154 486-0
 Fax +49 (0) 2154 486-222
 verkauf@struers.de

FRANCE
Struers S.A.S.
 370, rue du Marché Rollay
 F-94507 Champigny
 sur Marne Cedex
 Téléphone +33 1 5509 1430
 Télécopie +33 1 5509 1449
 struers@struers.fr

HUNGARY
Struers GmbH
 Magyarországi Fióktelep
 Tatai ut 53
 2821 Gyermely
 Phone +36 (34) 880546
 Fax +36 (34) 880547
 hungary@struers.de

IRELAND
Struers Ltd.
 Unit 11 Evolution@ AMP
 Whittle Way, Catcliffe
 Rotherham S60 5BL
 Tel. +44 0845 604 6664
 Fax +44 0845 604 6651
 info@struers.co.uk

ITALY
Struers Italia
 Via Monte Grappa 80/4
 20020 Arese (MI)
 Tel. +39-02/38236281
 Fax +39-02/38236274
 struers.it@struers.it

JAPAN
Marumoto Struers K.K.
 Takara 3rd Building
 18-6, Higashi Ueno 1-chome
 Taito-ku, Tokyo 110-0015
 Phone +81 3 5688 2914
 Fax +81 3 5688 2927
 struers@struers.co.jp

NETHERLANDS
Struers GmbH Nederland
 Zomerdijk 34 A
 3143 CT Maassluis
 Telefoon +31 (10) 599 7209
 Fax +31 (10) 5997201
 netherlands@struers.de

NORWAY
Struers ApS, Norge
 Sjøskogenveien 44C
 1407 Vinterbro
 Telefon +47 970 94 285
 info@struers.no

ÖSTERREICH
Struers GmbH
 Zweigniederlassung Österreich
 Betriebsgebiet Puch Nord 8
 5412 Puch
 Telefon +43 6245 70567
 Fax +43 6245 70567-78
 austria@struers.de

POLAND
Struers Sp. z o.o.
 Oddział w Polsce
 ul. Jasnogórska 44
 31-358 Kraków
 Phone +48 12 661 20 60
 Fax +48 12 626 01 46
 poland@struers.de

ROMANIA
Struers GmbH
 Sucursala Sibiu
 Str.Scoala de Inot, nr. 18
 RO-550005 Sibiu
 Phone +40 269 244 558
 Fax +40 269 244 559
 romania@struers.de

SCHWEIZ
Struers GmbH
 Zweigniederlassung Schweiz
 Weissenbrunnstraße 41
 CH-8903 Birmensdorf
 Telefon +41 44 777 63 07
 Fax +41 44 777 63 09
 switzerland@struers.de

SINGAPORE
Struers Singapore
 627A Aljunied Road,
 #07-08 BizTech Centre
 Singapore 389842
 Phone +65 6299 2268
 Fax +65 6299 2661
 struers.sg@struers.dk

SPAIN
Struers España
 Camino Cerro de los Gamos 1
 Building 1 - Pozuelo de Alarcón
 CP 28224 Madrid
 Teléfono +34 917 901 204
 Fax +34 917 901 112
 struers.es@struers.es

SUOMI
Struers ApS, Suomi
 Hietalahdenranta 13
 00180 Helsinki
 Puhelin +358 (0)207 919 430
 Faksi +358 (0)207 919 431
 finland@struers.fi

SWEDEN
Struers Sverige
 Ekbacksvägen 22
 168 69 Bromma
 Telefon +46 (0)8 447 53 90
 Telefax +46 (0)8 447 53 99
 info@struers.se

UNITED KINGDOM
Struers Ltd.
 Unit 11 Evolution @ AMP
 Whittle Way, Catcliffe
 Rotherham S60 5BL
 Tel. +44 0845 604 6664
 Fax +44 0845 604 6651
 info@struers.co.uk

USA
Struers Inc.
 24766 Detroit Road
 Westlake, OH 44145-1598
 Phone +1 440 871 0071
 Fax +1 440 871 8188
 info@struers.com

Struers' products are subject to constant product development. Therefore, we reserve the right to introduce changes in our products without notice.